

Thiele Series 6128 Gross Weigh Bagging Scale



Features

- Direct-mounted platform style load cell for precise measurements between 20 and 110 pounds (9-50 kg)
- Flex link-free
- Fast-stabilizing measuring
- Adjustable bulk and dribble flow vanes
- Clamshell style bag holder
- Microprocessor systems to control, update and monitor weighing operation
- Capable of integration with automatic bag hangers

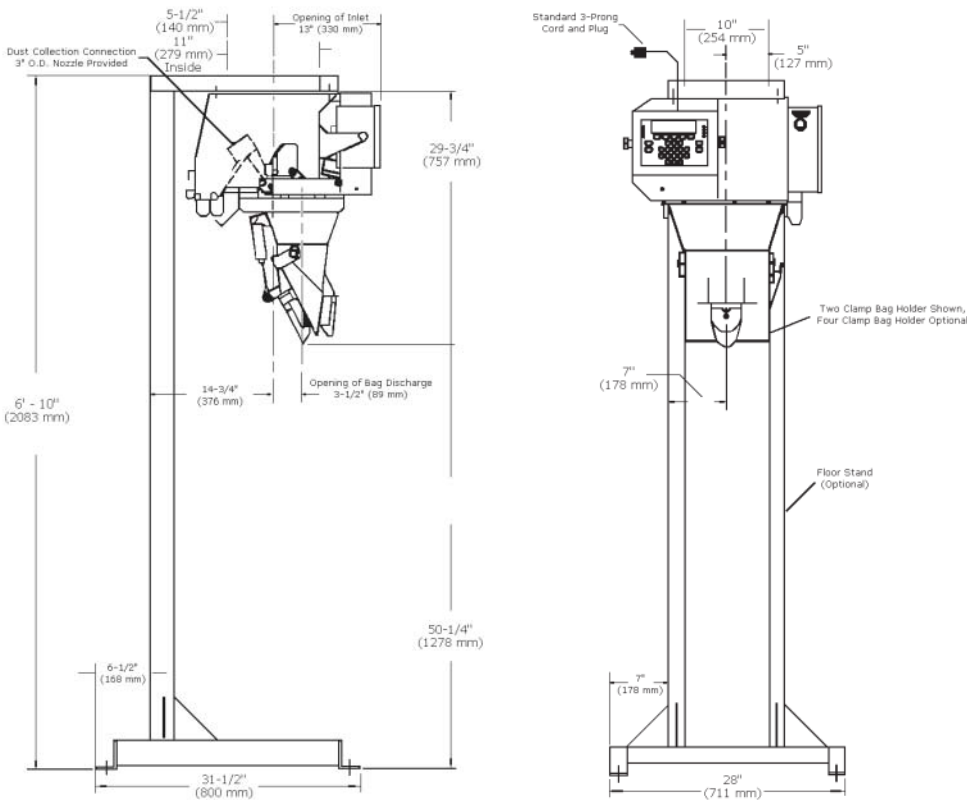
Thiele Series 6128 Gross Weigh Bagging Scale

Thiele's 6128 Gross Weigh Scale provides accurate weighing of granular free-flowing products. The computer controlled system makes operation simple and product changeovers fast and easy.

Two-stage weighing system is standard, as is automatic weight compensation.

Key Benefits

- Two-stage weighing system
- Automatic weight compensation
- Fast, easy, and trouble-free operation
- User-friendly Allen-Bradley control platform
- Change weights or weight measurements at the touch of a button
- Available with standard or corrosion-resistant construction



Specifications	
Production Speed	
Up to 12 bags per minute	
Accuracy	
1 to 3 oz. (28-85 grams)	
Dimensions	
Depth	34.9 in. (886.4 mm)
Width	28 in. (711.2 mm)
Height	82 in. (2082.8 mm)
Power Requirements	
Input Power	115 volts, 60 cycle, 0.764 amps
Control Circuit	115 volts, 60 cycle, 0.764 amps
Current Draw	2 amps
Air Requirements	
Operating Pressure	60 psi (414 kPa)
Line Pressure	70 psi (483 kPa) min.

Hayssen | Hudson-Sharp | Rose Foregrove | Sandiacre | Schib | Sionato | SYMACH | Thiele