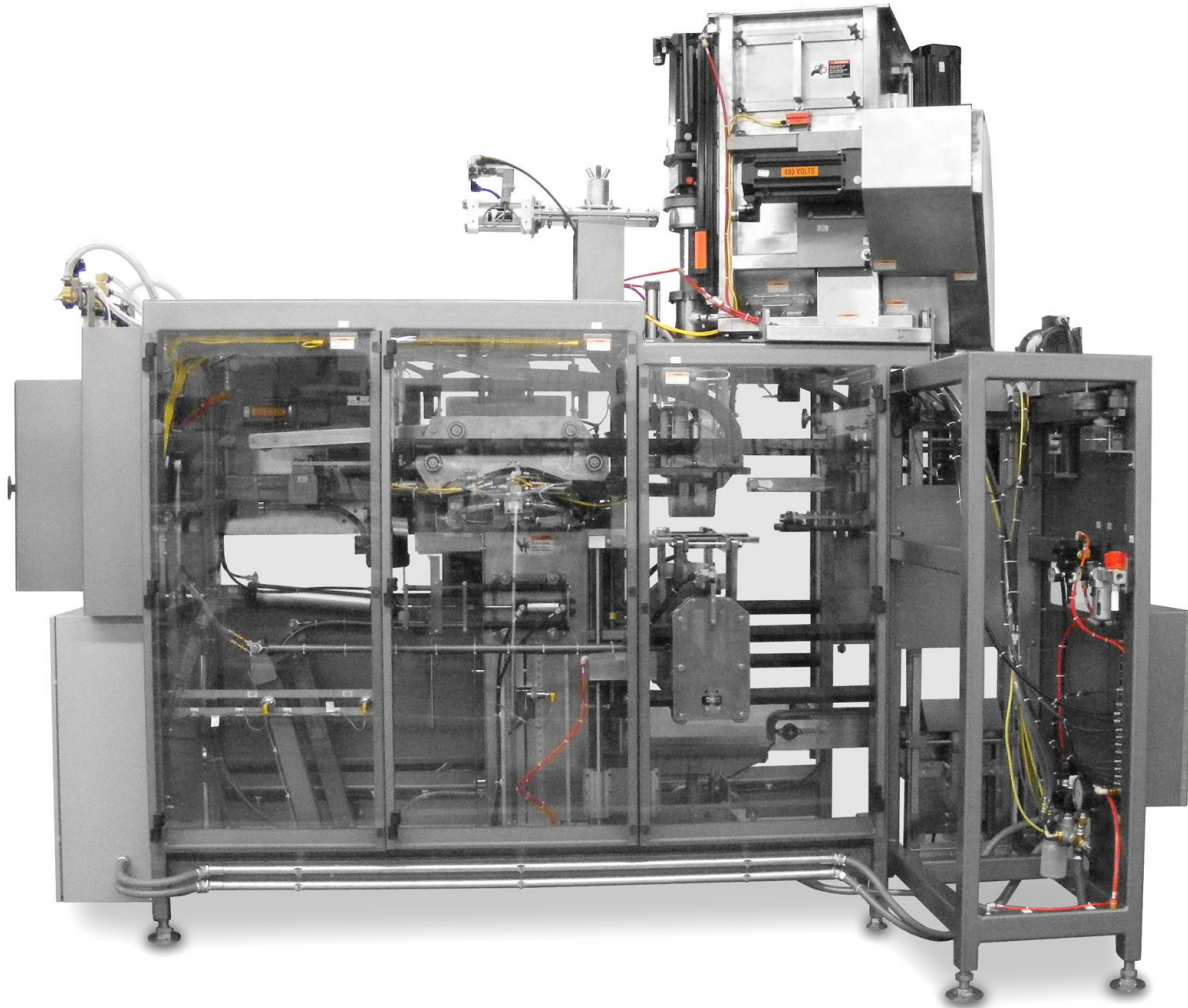


Thiele AutoTrim[®] 7116 Mix Packer



Features

- Completely automatic system
- Inline operation to maintain bag top control
- Integrated, two-stage feed that ensures accuracies and maintains speed
- Positive auger control that handles a variety of products while minimizing dust
- Tube-in-bag filling provides product and dust control
- Automatic fill time adjustments and immediate data
- Removable feeder
- Corrosion resistant

Thiele AutoTrim® 7116 Mix Packer

The Thiele Series 7116 Mix Packer is a completely automatic, integrated bag packaging system that offers bag feeding, registration and positive bag opening, dual auger product handling and bulk filling, vibratory top-off station, and positive bag control throughout the system.

The mix packer features a feeder section with interchangeable feeders designed to handle a variety of food and bakery mix products. The dual bulk and dribble auger feed system is capable of feeding products with relatively high moisture and fat content.

The bulk fill uses a combination of product agitators, horizontal, and vertical augers to transfer and feed product to the bulk fill station. The vibratory feeder for the top-off station is fed directly from the surge bin.

Key Benefits

- No manual labor required
- Better dust control
- Increased speed
- Enhanced accuracy
- Automatic bag registration
- Integrated bag settler mechanism

Additional Features

- 304 stainless steel product contact surfaces

Specifications

Production Speed

Up to 10 bags per minute

Power Requirements

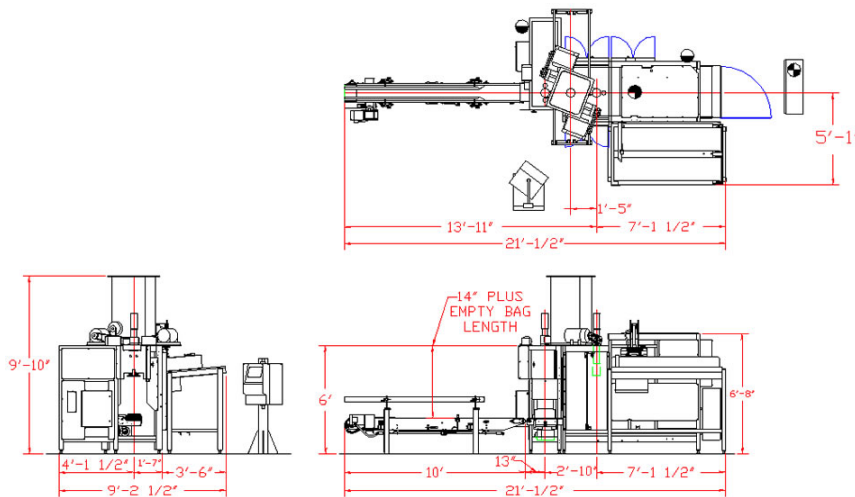
Input Power	240/480 V, 1 phase, 60 Hz
Control Circuit	115 volts provided through control transformer
Maximum Draw	240/480 Volts

Air Requirements

Operating Pressure	80 psi (5.4 Atm)
Line Pressure	90 psi (6.1 Atm)
Free Air Per Cycle	1.5 cubic ft.

Shipping Weight

Approximately 7,000 lbs. (3,175 kg)



Hayssen | Hudson-Sharp | Rose Foregrove | Sandiacre | Schib | Sionato | SYMACH | Thiele